



FA-11 Fault Annunciator

Features

- RS-232 Output Port
- 16 x 2 LCD Display to Indicate Fault Condition
- Front Panel & Remote Fault Reset & Accept Option available
- Potential Free Input Contact NO or NC Selectable
- 3 Relay O/P : Audio Alarm, Visual Alarm & Machine Control Output Relay

LED Indication & Keys

LED 1	Audio Alarm LED
LED 2	Visual Alarm LED
LED 3	Machine Control O/P LED
KEYS	SET, SHIFT/ACCEPT, INC, ENT/RST

Specification

Input Type	NO or NC Contact Selectable
Output :- 3 Relay O/P	Audio Alarm Visual Alarm Machine Control Output
Relay Type	1C/O (NO-C-NC)
Rating	5A, 230V AC
Communication	RS-232 Communication With Modbus RTU

Application

- Electrical Control Panel
- Submersible Pump
- Road Construction Panel
- MCC Panel
- Industrial Chiller And HVAC System
- D.G. Set

Technical Specifications

Input

Input Type	NO or NC Control
------------	------------------

Output

3 Relay O/P	Audio Alarm Visual Alarm Machine Output
Relay Type	1C/O (NO-C-NC)
Rating	5A, 230V AC
Communication Type	RS 232
Protocol	Modbus RTU

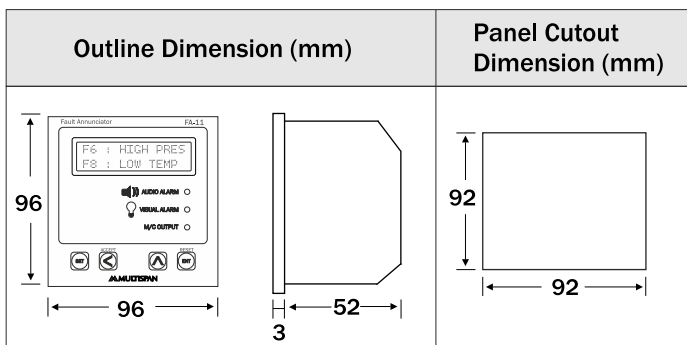
Display & Keys

Display	16 x 2 LCD Display
Key	SET, SHIFT/ACCEPT, INC, ENT/RST
LED	Audio Alarm, Visual Alarm, Machine Output

Accuracy

Class 1.0

Mechanical Dimension



Auxiliary Power Supply

Power Supply	100 to 270V AC, 50/60Hz
Burden	6VA

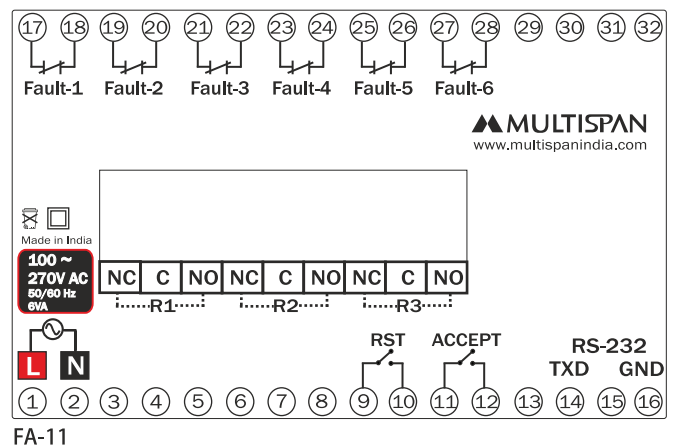
Physical

Mounting Type	Panel Mount
Size (H x W x D)mm	96 X 96 X 52
Front Bezel (H x W) mm	96 X 96
Panel Cutout (H x W) mm	92 X 92
Depth Behind panel (mm)	52
Material	ABS
Accessory	2 Panel Mounting Clamp
Weight (gm)	347
Enclosure Protection (As Per Request)	IP 65 (Front Side)
Terminal & Cable Size	Barrier Type terminal Cable Size (2.5 mm ²)

Environmental

Working Temperature	0 to 55 °C
Storage Temperature	0 to 55 °C
Relative Humidity	95% RH Non-condensing
Warm up time	5 minutes

Connection Diagram



We reserves the right to change specifications without prior notice. Printing and typographical errors reserved.

Product improvement and upgrade is a constant procedure. So for more updated operating information & support contact us. at Mimic Components (0)11-689-5799