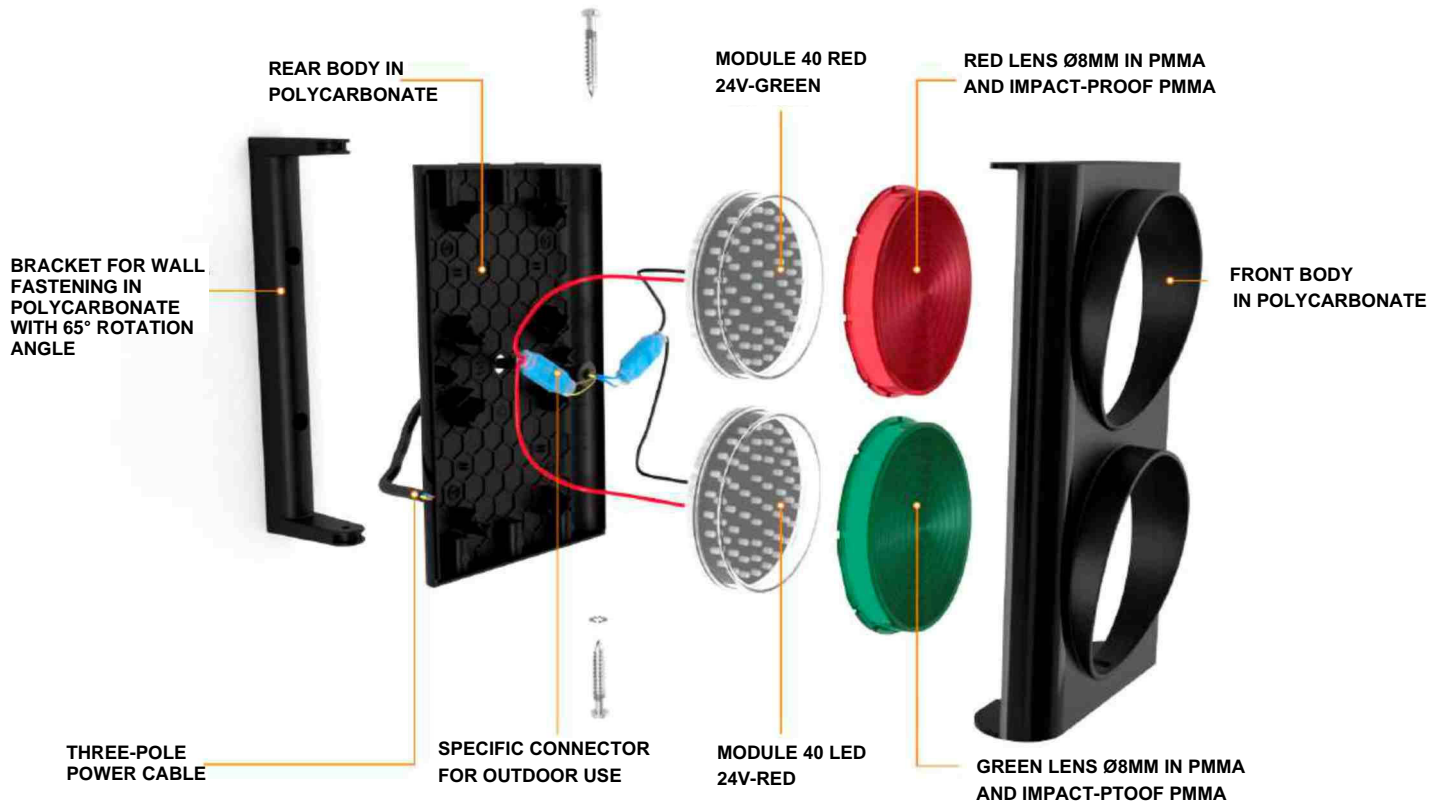


ASFERA80 TRAFFIC LIGHT

The traffic control light designed to meet both high standards of safety and a captivating, yet simple design, with clean lines, to adapt to any type of surroundings. It is ideal lighting for pedestrian and tunnel passageways, car parks, panoramic platforms and other outdoor spaces where further attention to safety is necessary.



Product details



Easy to install

With ERA80, the installation process is simple thanks to the new fastening systems with a bracket and wall fastening

VERTICAL WITH BRACKET

HORIZONTAL WITH BRACKET

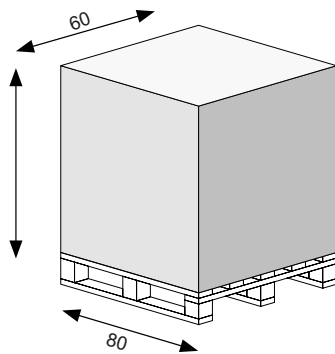
VERTICAL WITHOUT BRACKET

HORIZONTAL WITHOUT BRACKET

APPLICATION WITH POLE BRACKET



Technical details



H120cm - pz.128



| TECHNICAL DATA | ASFERA80 Vertical 2-light traffic light | ASFERA80D Directional vertical 2-light traffic light | ASFERA80O Horizontal 2-light traffic light | ASFERA80OD Directional horizontal 2-light traffic light |
|------------------------|---|--|--|--|
| Power Supply | 24V | 24V | 24V | 24V |
| Absorbed rated current | 0,13A | 0,13A | 0,13A | 0,13A |
| Power | 1,50W | 1,50W | 1,50W | 1,50W |
| Luminosity | 120Lx (+10Lx) | 120Lx (+10Lx) | 120Lx (+10Lx) | 120Lx (+10Lx) |
| Working temperature | -20/+55° | -20/+55° | -20/+55° | -20/+55° |
| IP | 56 | 56 | 56 | 56 |
| Number of leds | 40 | 40 | 40 | 40 |

Models

VERTICAL



HORIZONTAL

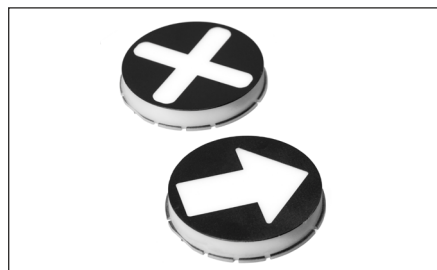


Accessories



ASFERA80SP

Brackets for pole fastening



ASFERA80LD

Directional lens kit



APS

Galvanised pole (60mm)