

Portable Airfield Light

AL-PA-AMC



APPLICATION



AL-PA-AMC Portable Airfield Light is specially used on permanent airport/heliport where cable power is not convenient or temporary helipad, especially for medivac and other emergency situations.

Compliance

- ICAO Annex 14 Volume II Heliports 5.3.

Features

Electrical

- Ultra High intensity LED as light source saving power consumption and maintenance, 95% less power than equivalent incandescent light

Physical

- Integrated design, enabling a rugged and completely waterproof seal capable of prolonged and deep immersion (IP67).
- Hard anodizing Aluminum housing ensure good UV resistance, shockproof and corrosion proof, anti-corrosion, salt-spray proof
- Rechargeable lithium ion batter inside for power the LED
- Charging port besides
- Battery status LCD screen on top
- Handle for easy move

System design

- ON/OFF button located beside base

Optional

- Built in photocell
- Wireless remote control (433MHZ, 3KM effective distance)
- NVG - compatible infrared (IR) LED
- Air-to-ground Control(VHF)
- Carry case(Standard for 8 light in one case, others are optional)
- Extra battery Charger station(For Charges up to 12 Lights simultaneously)

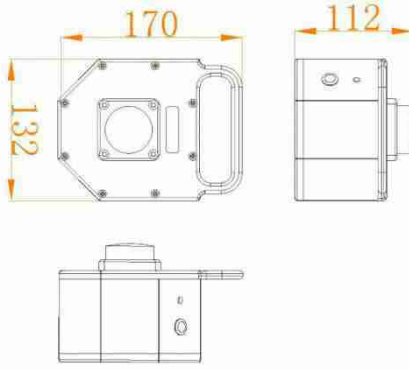
Application

- Airport, Touchdown and Lift- off area (TLOF) , Final Approach and Take- off area (FATO) , Taxiway lighting, Runway edge lighting, Portable or expedited airfield lighting, Threshold lighting
- Helipad taxiway
- Emergency operations

Portable Airfield Light

AL-PA-AMC

Dimension



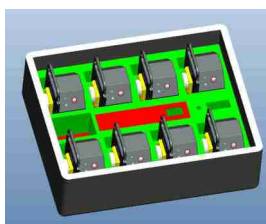
*Wireless Remote Controller
(Effective distance 3km,
Frequency: 433MHZ)*



Air-to-ground Radio Control(VHF)



Carry case for 8 AH-PA/EMC



SPECIFICATIONS

AL-PA-AMC Portable Airfield Light

Light Characteristics

Light Source	ultra high intensity LED
Available Colors	Red, Green, Yellow, White, Blue, IR
Flash Characteristics	Steady(Flashing mode is optional)
Operation Mode	24hours working after switched ON
LED Life Experience(hours)	>100,000

Electrical Characteristics

Operating Voltage	12
Circuit Protection	Integrated

Battery Characteristics

Battery type	Lithium ion battery
Nominal Voltage (V)	12V/16AH
Battery Service Life	Average 3 years
Autonomy (hours)	60hours

Physical Characteristics

Lamb Body Material	Hard anodizing Aluminum Alloy
Lens Material	Acrylic
Overall Size (mm)	170×132×112
Weight(kg)	2.4
Product Life Expectancy	Average 5 years

Environmental Factors

Ambient Temperature(°C)	-55~70
Humidity	0~100%
Wind Speed	80m/s
Waterproof	IP67

Compliance

ICAO	Annex 14 Volume II Heliports 5.3.
------	-----------------------------------

Optional

Wireless remote control
NVG - compatible infrared (IR) LED
Charger station (12position)
Built-in photocell
Air-to-ground Control(VHF)
Carry case