



# LED Heliport Surface Flood Light

## AL-HP-F1

LED Surface Heliport Flood Light is used for illuminate the whole heliport area at night. It is specially designed for helipads, providing glare-free, uniform surface lighting for landing and loading activities. LED Surface Floodlights improve pilot depth perception by reflecting the surface of the helipad, allowing pilots to better estimate their altitude during landing.



### Compliance

- ICAO Annex 14 Volume II Heliports 5.3.9
- FAA AC 150/5390-2B Heliport Design Guide



### Features

#### Electrical

- High intensity, energy efficient LED, glare-free floodlight
- Period of LED Life  $\geq 100,000$  hours
- Power supply available in AC(110-240VAC), DC48V, DC12V, etc
- Ultra-efficient LED reduce power consumption

#### Physical

- The enclosure is made out of stainless steel powder coated in electrostatic field, ensure it have good weather resistance
- The assembly has a low profile of less than 25cm and mounts to frangible point
- Specially custom lens optic designed specifically for helipad operation
- The angle of tilt of the luminaire is easily adjusted to maximise heliport illumination

#### Optional

- Infrared LED for pilot using NVG(Night Vision Goggles)
- Controller for power supplying and turn ON/OFF light
- VHF pilot to ground remote control
- Marine treated

### Application

- Helipad/Heliport TLOF areas
- Heliport FATO ares
- Helipad Runway
- Helipad taxiway
- Aiming point light



## APPLICATION

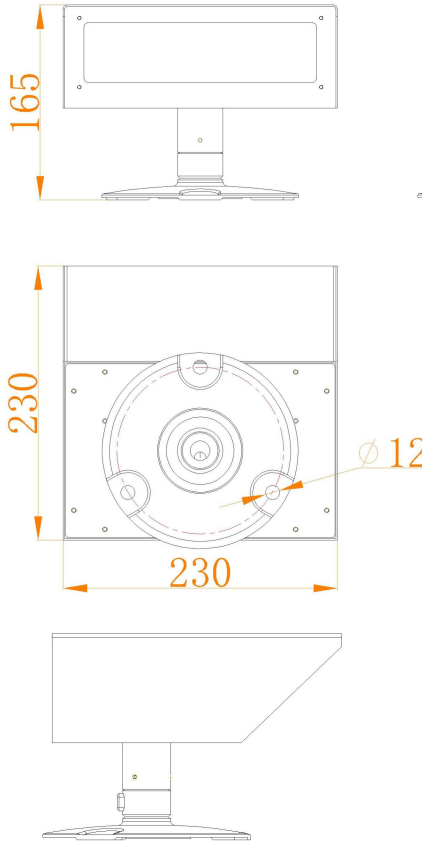




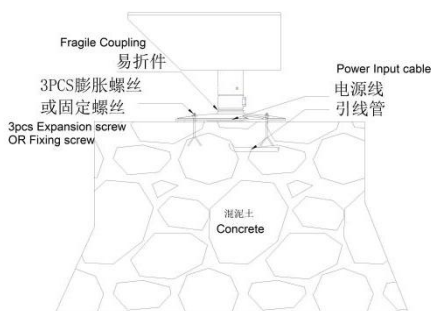
# LED Heliport Surface Flood Light

## AL-HP-F1

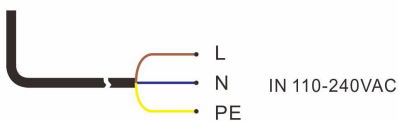
### Dimension(mm)



### Installation Diagram



### Wiring



### SPECIFICATIONS

### AL-HP-F1 LED Heliport Surface Flood Light

#### Light Characteristics

Light Source	CREE Ultra high intensity LED
Emitting Color	White
Luminous efficiency:	120lm/W
Flash Characteristics	Steady burning
Operation Mode	24hours operation
LED Life Experience(hours)	>100,000

#### Electrical Characteristics

Operating Voltage	110-240VAC, 48VDC, 24VDC or others
Power(W)	10

#### Physical Characteristics

Enclosure Material	Powder Coated Stainless Steel
Overall size(mm)	230×230×165
Installation size(mm)	140×140×12
Weight(kg)	2.4
Product Life Expectancy	Average 5 years

#### Environmental Factors

Ambient Temperature(°C)	-55~70
Humidity	0~100%
Wind Speed	80m/s
Waterproof	IP66

#### Compliance

ICAO	ICAO Annex 14 Volume II Heliports 5.39
------	--

#### Options Available

Infrared LED compatible for NVG (Night Vision Goggles)
Marine Treated
VHF pilot to ground remote control